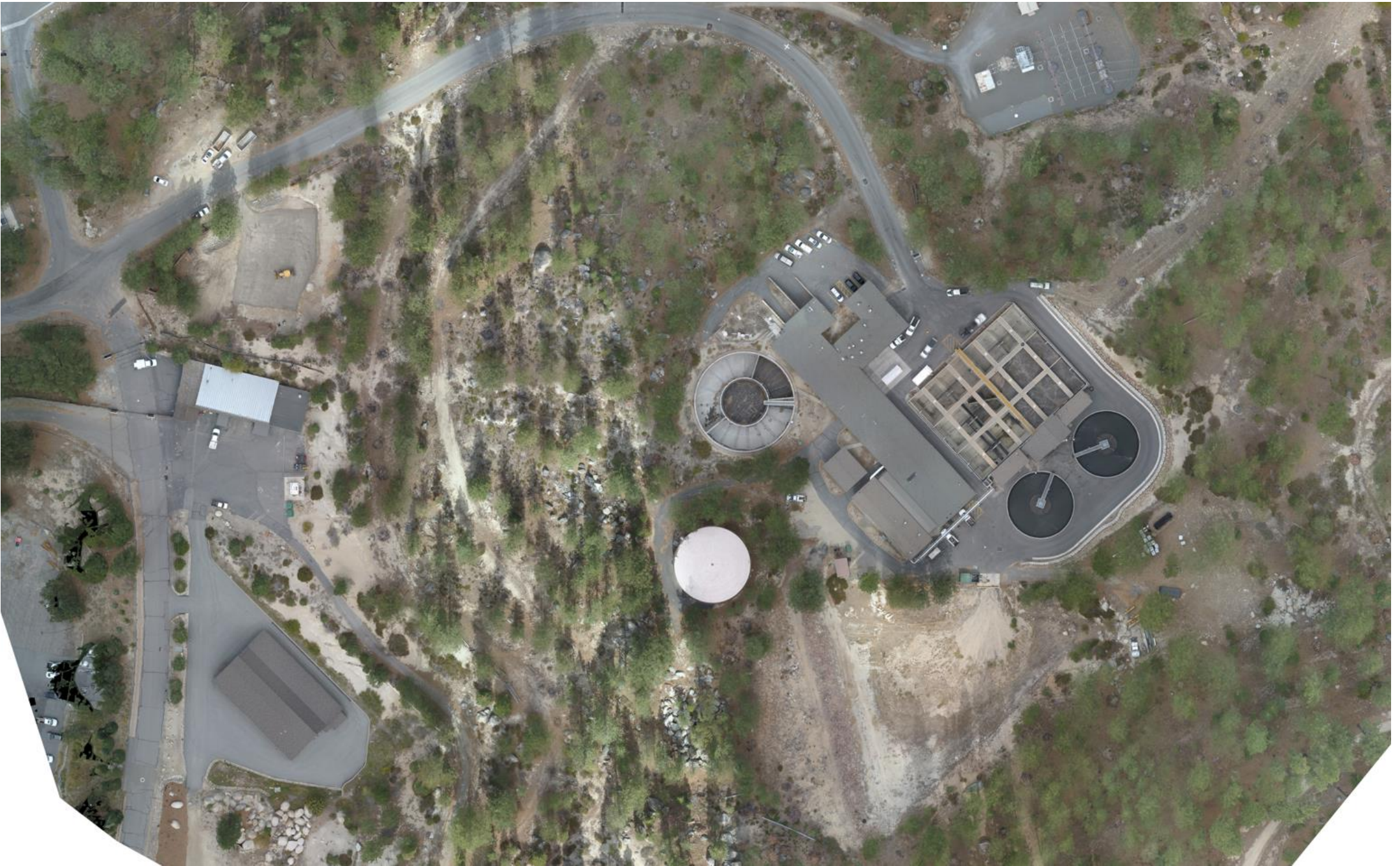
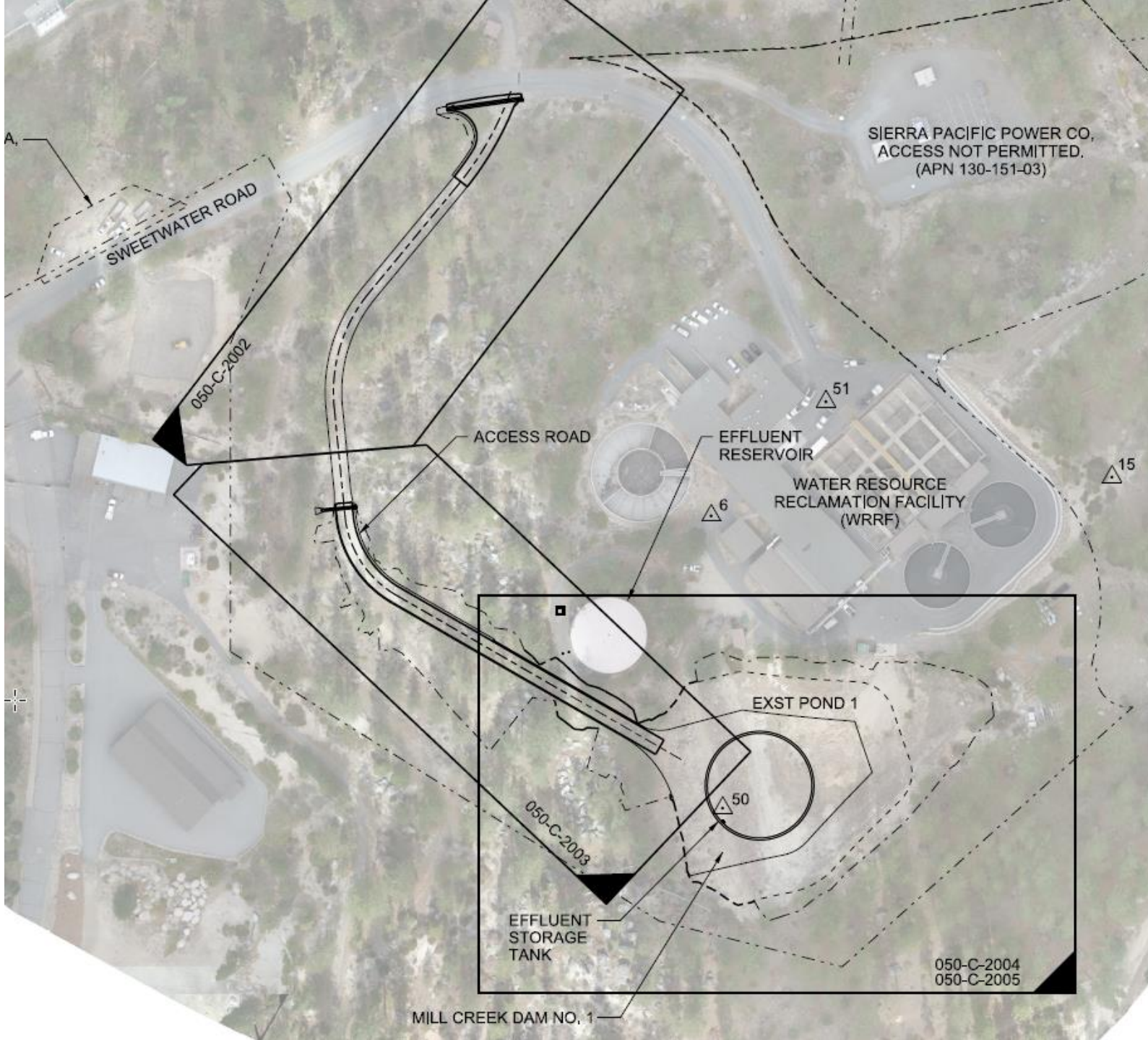


EXISTING
CONDITIONS:
IVGID WRRF



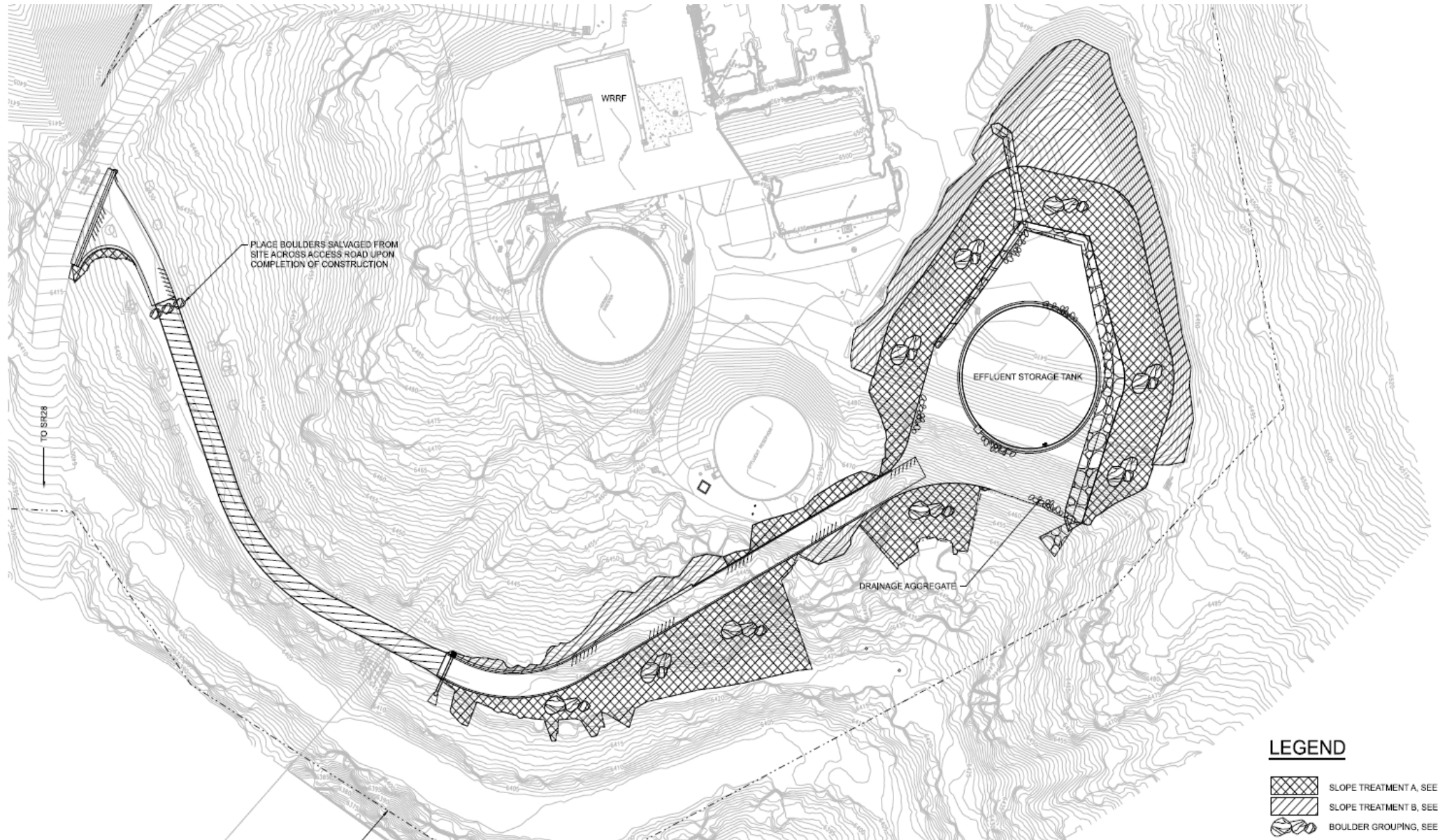
PROPOSED
CONDITIONS:

IVGID WRRF






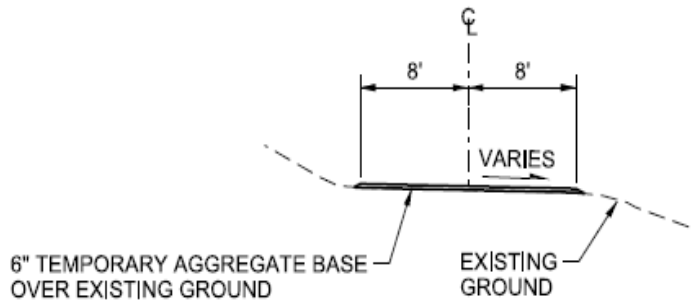
PROPOSED
CONDITIONS:

IVGID WRRF



LEGEND

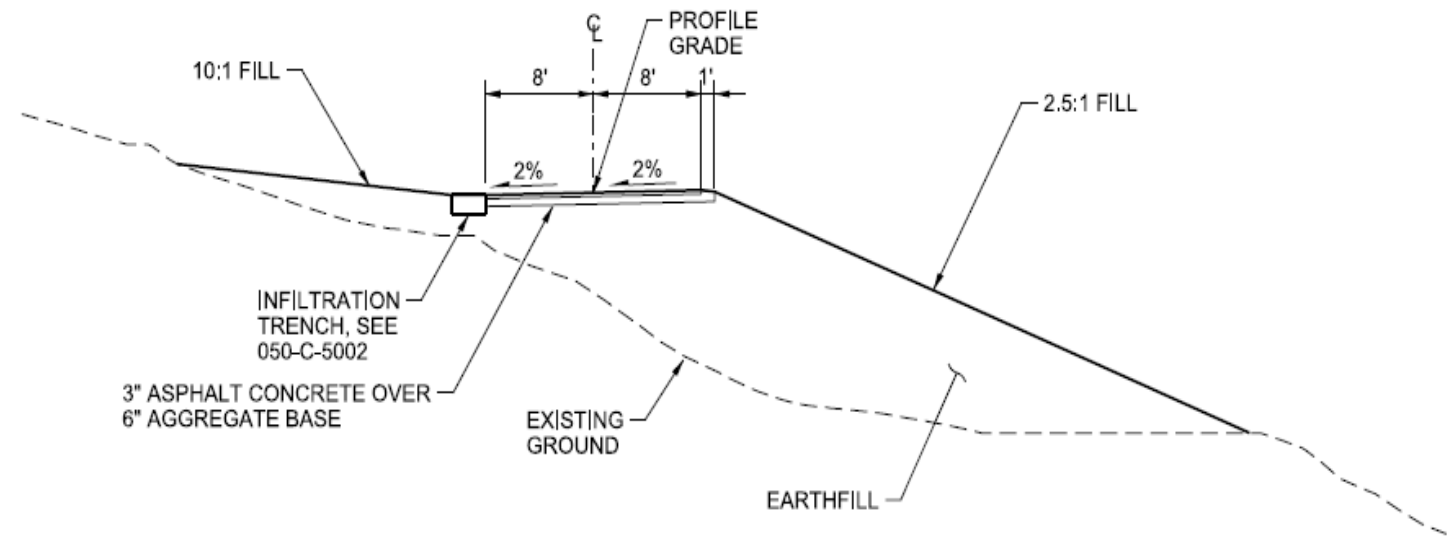
-  SLOPE TREATMENT A, SEE 050-C-5001 FOR DETAILS
-  SLOPE TREATMENT B, SEE 050-C-5001 FOR DETAILS
-  BOULDER GROUPING, SEE 050-C-5001 FOR DETAILS



STA 11+00 TO 14+50

TYPICAL SECTION 1 - ACCESS ROAD

NTS

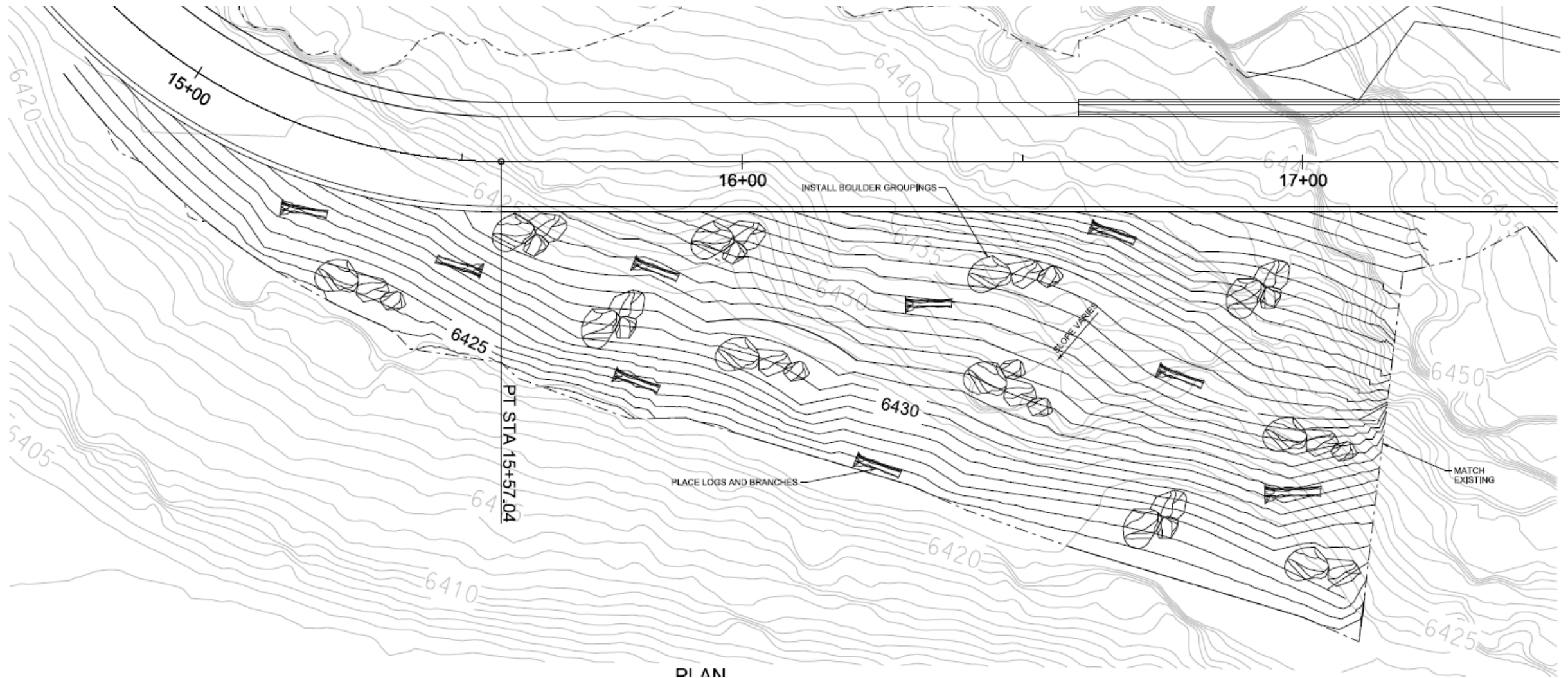


STA 14+50 TO 16+60

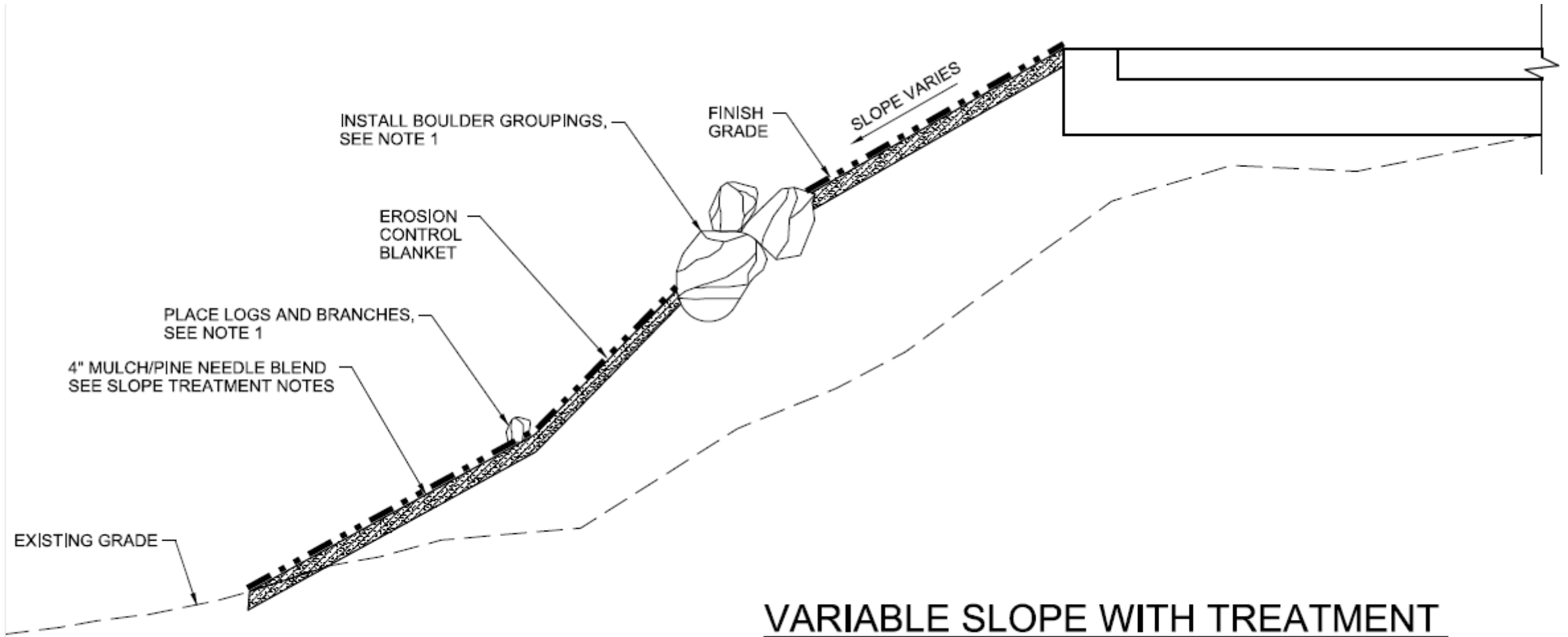
TYPICAL SECTION 2 - ACCESS ROAD

NTS

REVISED EMBANKMENT GRADING - PROPOSED



DI AN



INSTALL BOULDER GROUPINGS,
SEE NOTE 1

FINISH
GRADE

SLOPE VARIES

EROSION
CONTROL
BLANKET

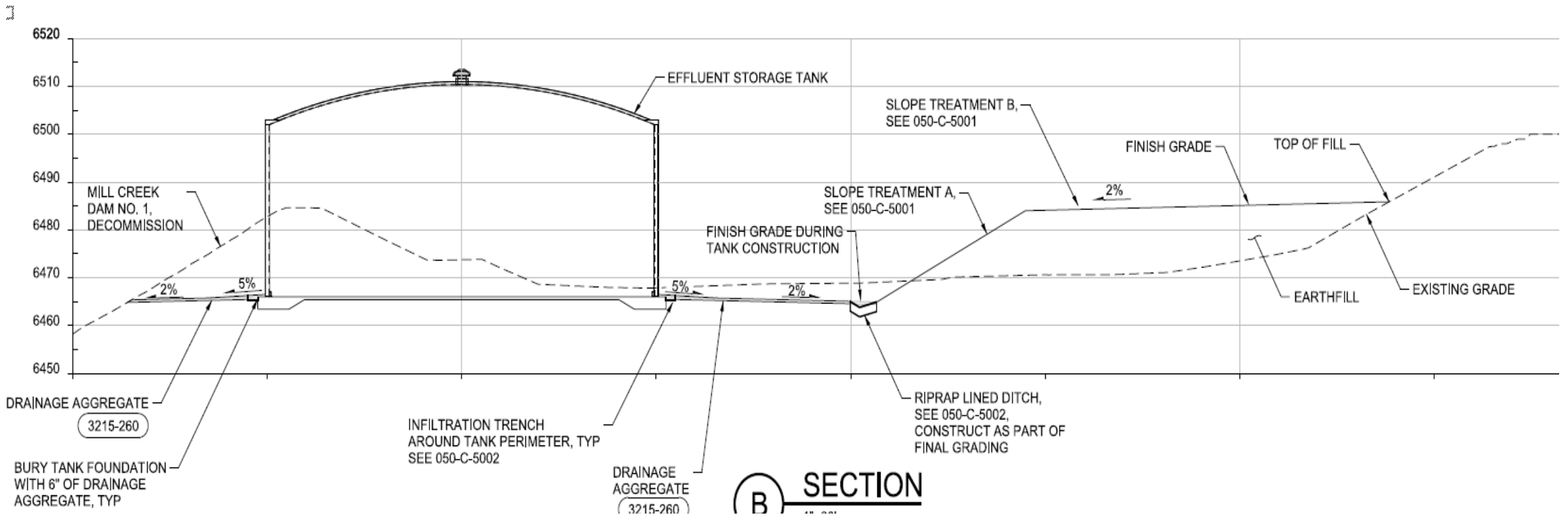
PLACE LOGS AND BRANCHES,
SEE NOTE 1

4" MULCH/PINE NEEDLE BLEND
SEE SLOPE TREATMENT NOTES

EXISTING GRADE

VARIABLE SLOPE WITH TREATMENT

NTS



EXISTING DAM



EXISTING POND



EXISTING DAM
FACE



EXISTING ROAD



EXISTING ROAD



EXISTING
EMBANKMENT



EXISTING TOPO

